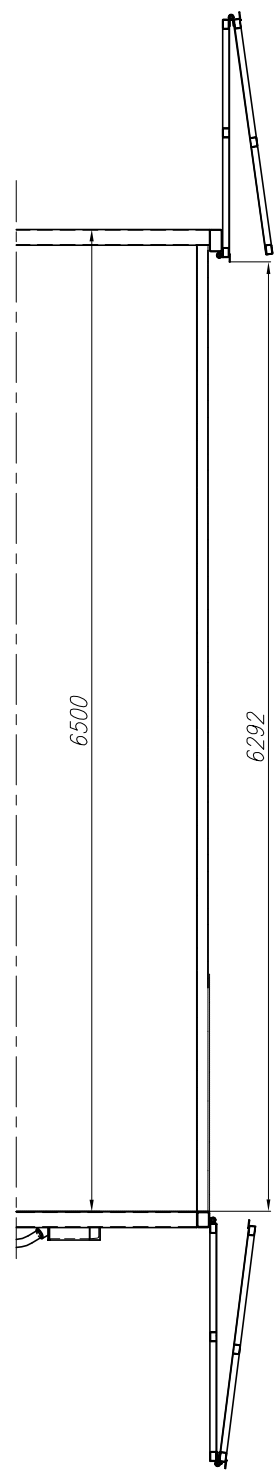


Top view:

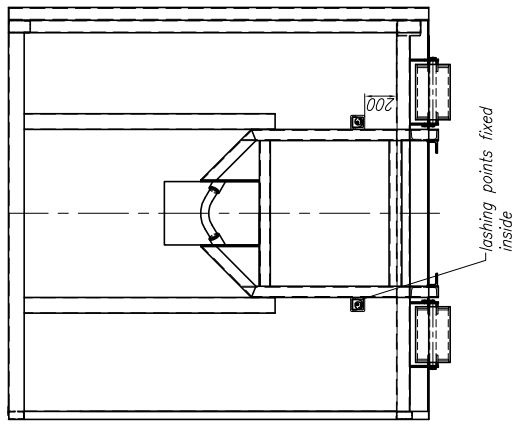
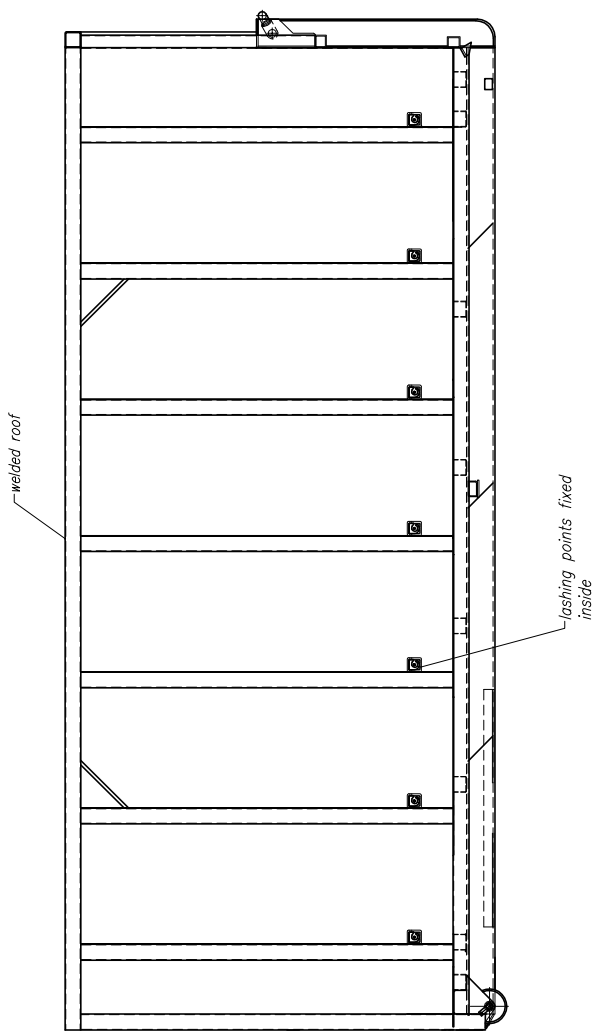


Frame: SS3021

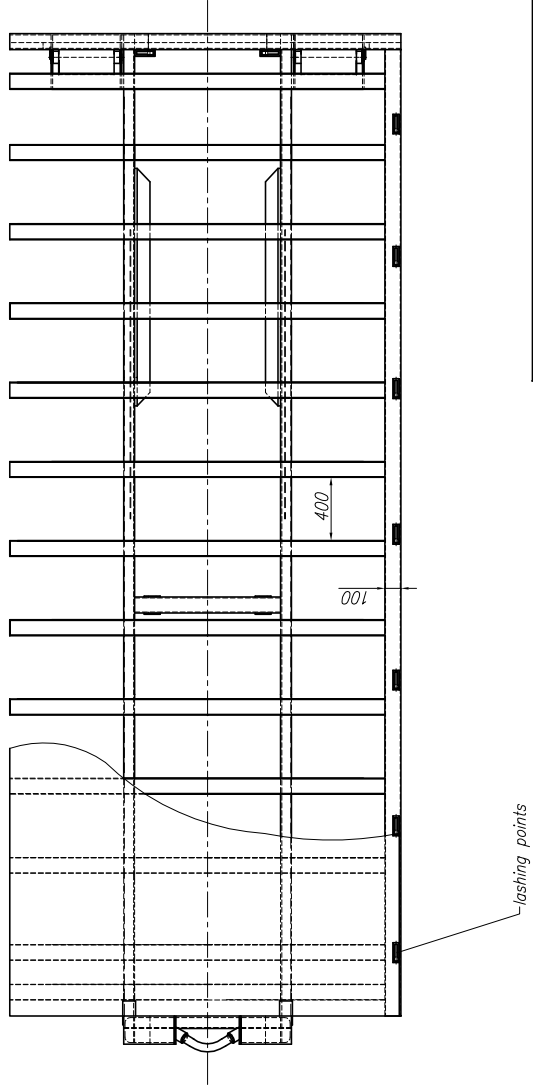
Volume	39m3
Roof	2mm
Side	2mm
Bottom	4mm
Front/Rear	2mm

NORDCON

order 101400	HOS-39-6,5TF	Drawing no. HOS-39.00.00	Rev.
Design			
Drawn			
Checked			



Bottom:



Frame:SS3021

Volume	39m3
Roof	2mm
Side	2mm
Bottom	4mm
Front/Rear	2mm

NORDCON

Drawing no. HOS-39.00.00 Rev.

HOS-39-6,5TF

order 101400

Design
Drawn
Checked