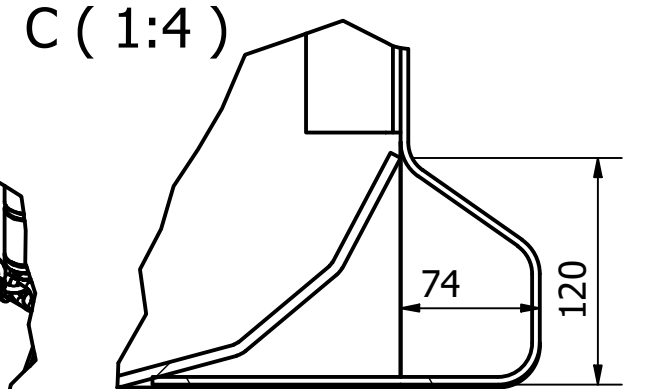
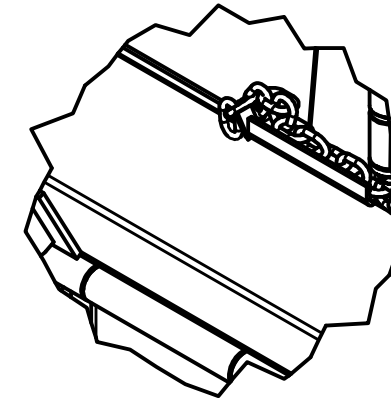
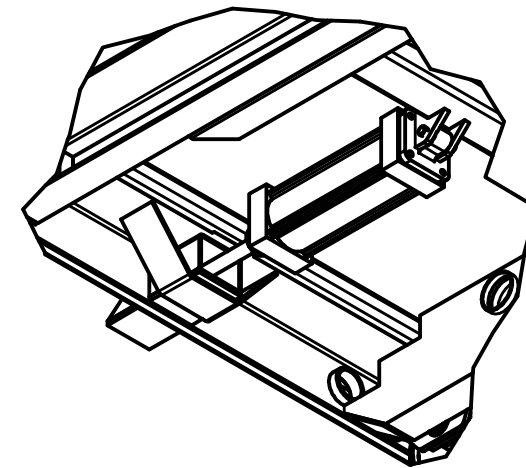
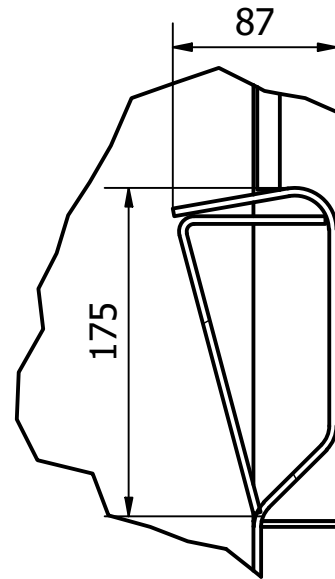
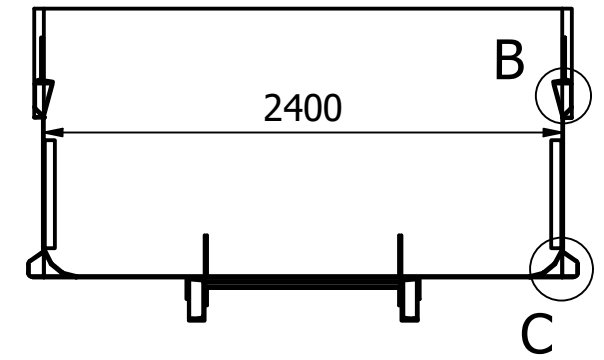
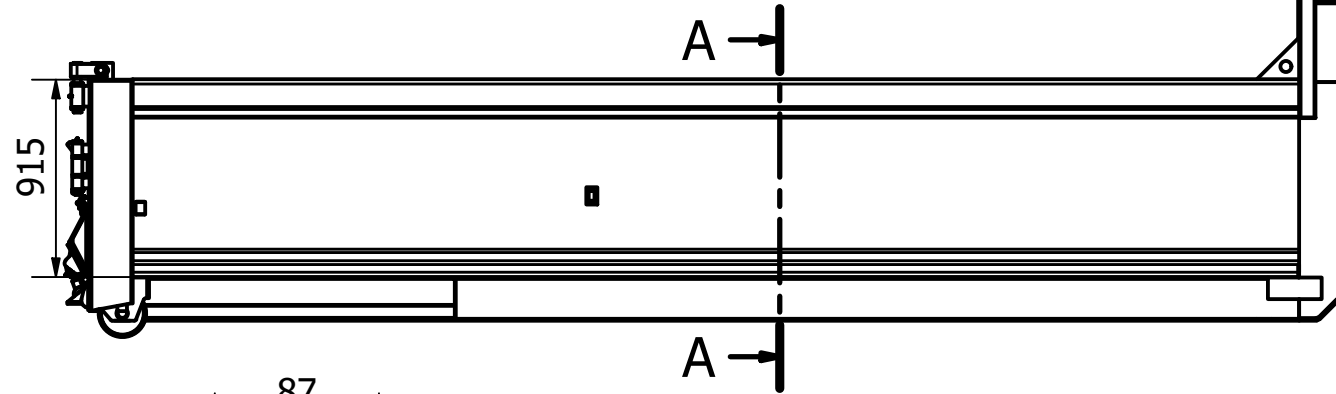
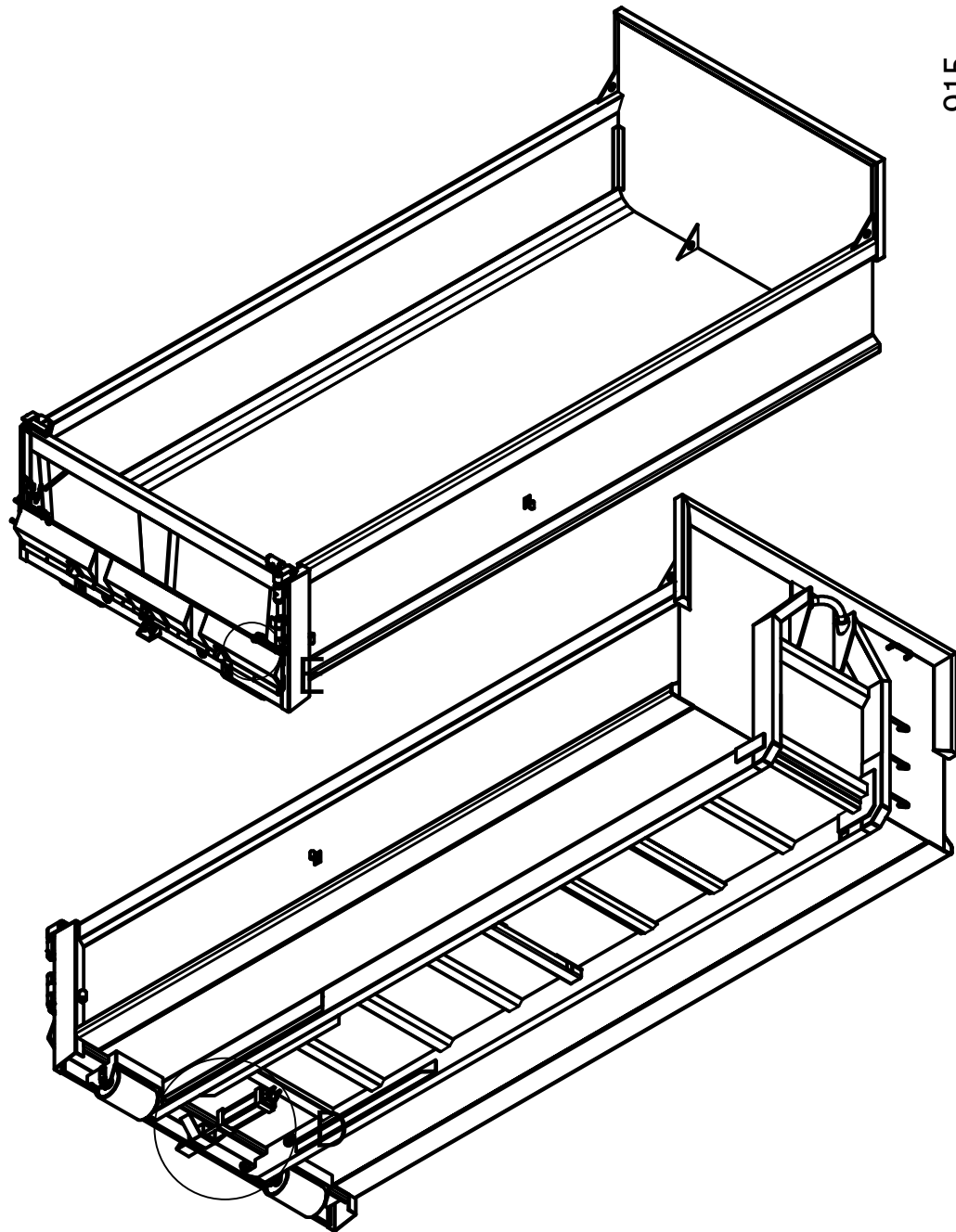
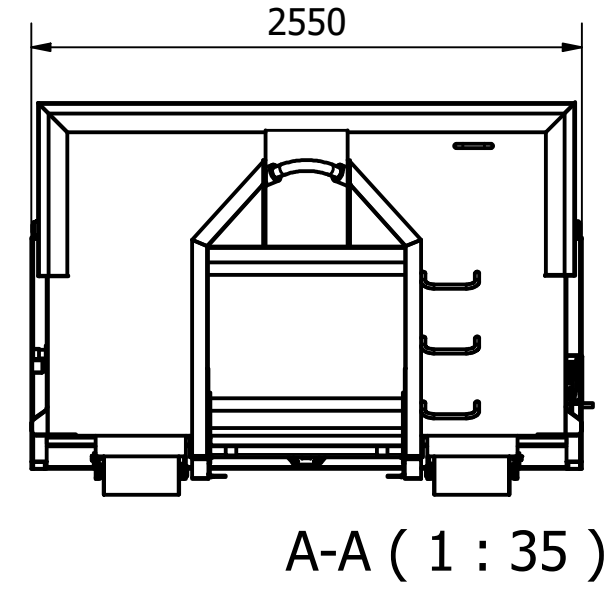
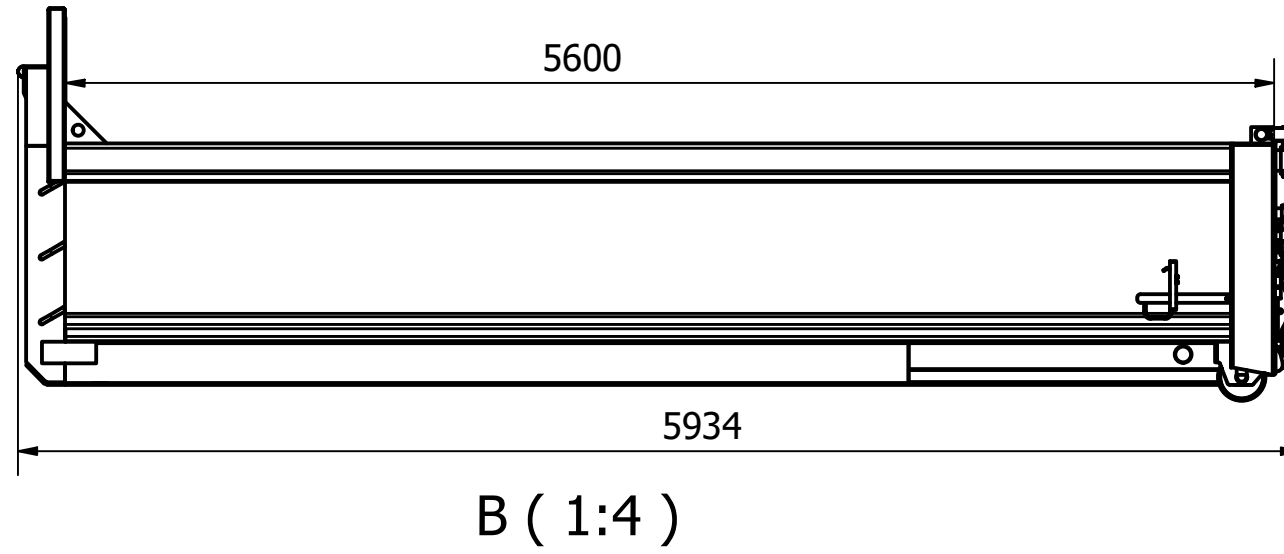
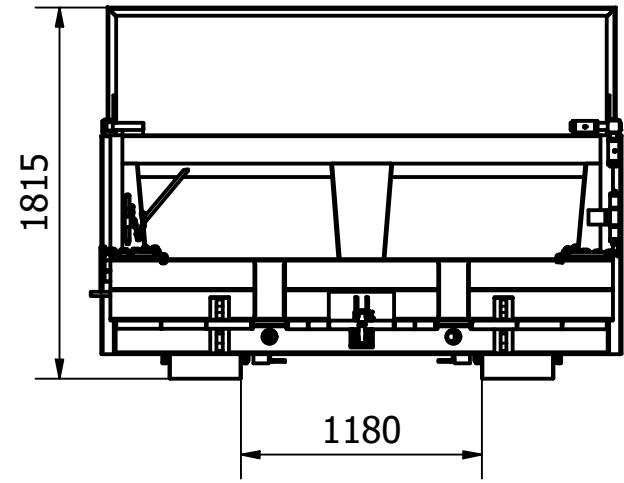


Container painted: full outside, back doors full, inside 200mm from top only.



Volume	12m3	
Weight	2480Kg	
Side	4mm	Hardox450
Bottom	6mm	Hardox450
Front	4mm	Hardox450
Rear	4mm	Hardox450

Date 27.03.2019		Nazwa SDUMP12HD-D3A-46
Design		
Drawn	RT	
Checked		

NORDCON	
Drawing no. 512-001	Rev.